

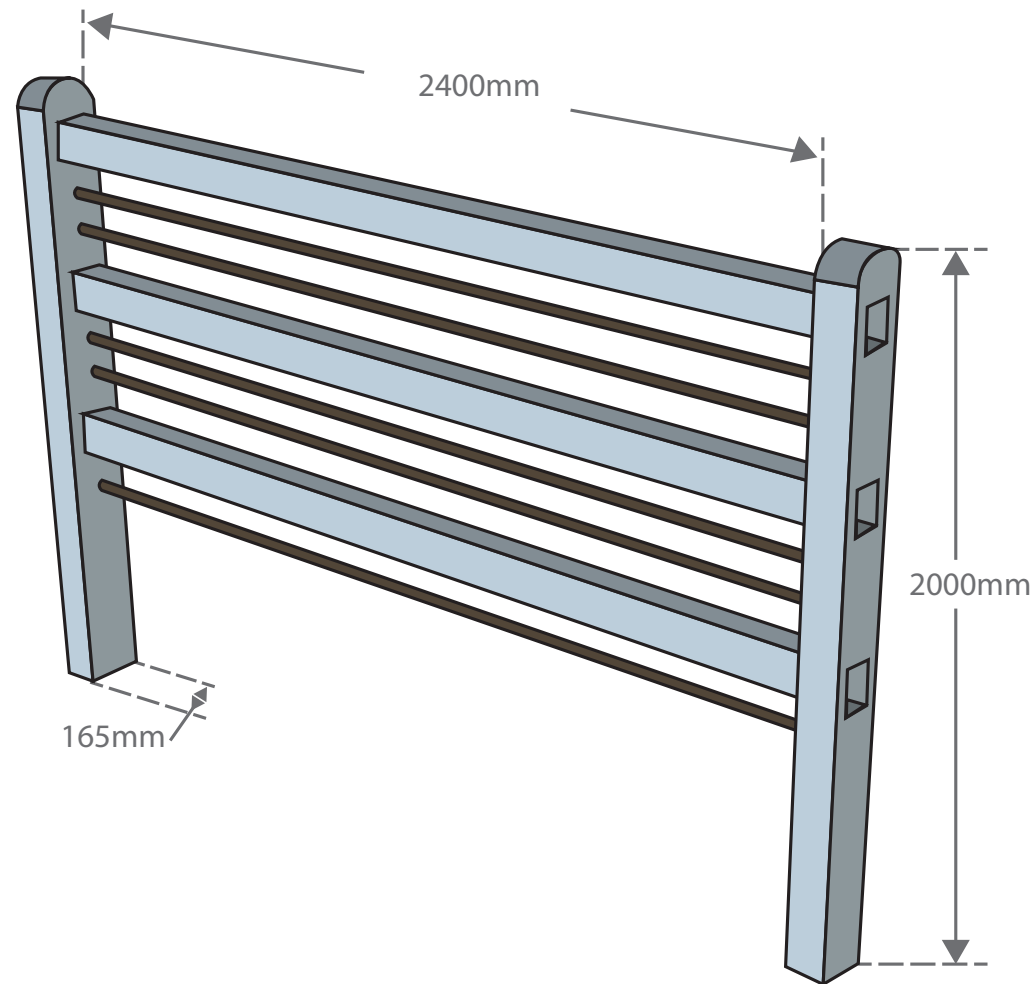
MARTIN WILLIAMS
MWC
CONCRETE PRODUCTS LTD

SPANCILHILL, TULLA RD, ENNIS, CO CLARE

TEL: 065 6829950 | FAX:065 6829052

EMAIL: MARTIN@WCP.IE | WWW.WCP.IE

Post & Rail Fence - 3 Rail
2400 x 2000 x 165 mm



This drawing is ©. All rights Reserved

Profile, sizes and weights are given as an indication only.

Martin Williams Concrete Products Ltd reserves the right to modify these at any time without notice.